

Gerpex Compression Fittings

Uses

The use of the compression pipe fittings makes installing Gerpex multi-layer pipe quick and simple with existing fittings.

The 24x19 thread allows for a single type of fitting which can be matched with Emmeti seals 24x19 for multi-layer pipe. The hydraulic seal is ensured by means of a system with three O-rings and a barbed insert to ensure a secure connection.

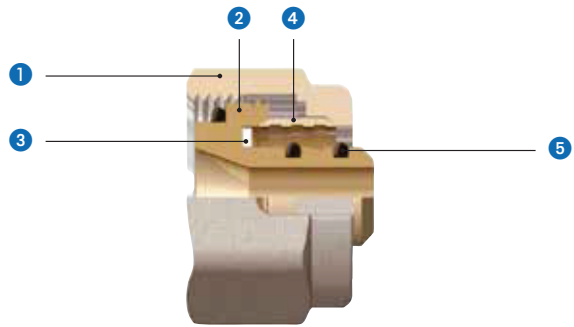
All the fittings are equipped with a special PTFE ring that insulates the aluminium of the pipe from the brass fitting.



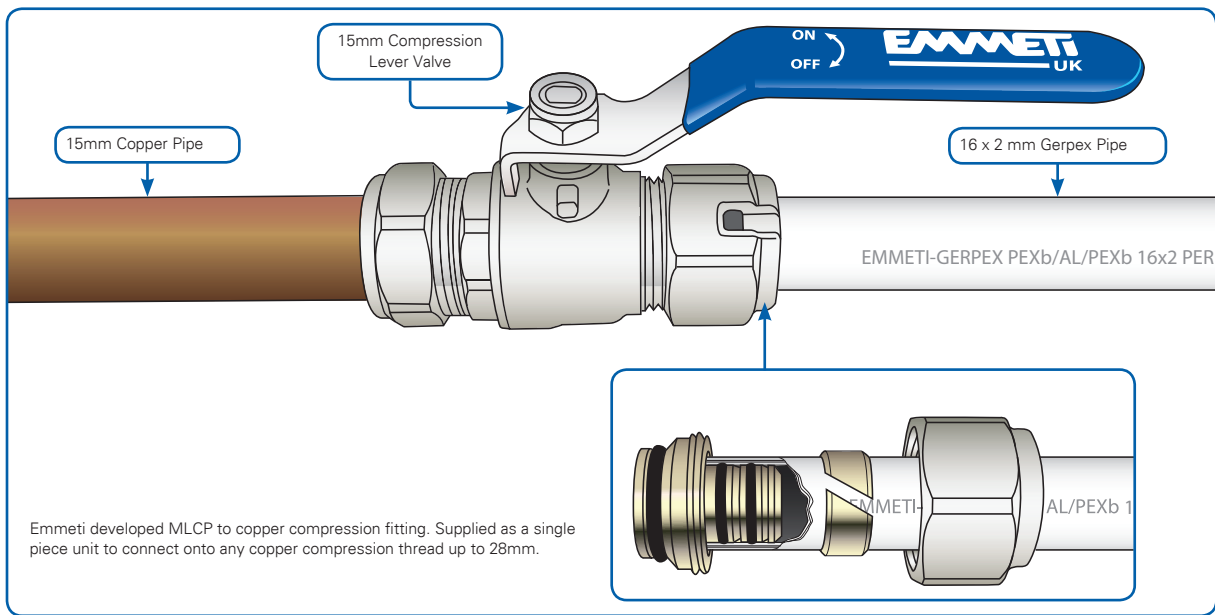
Construction details - Monoblocco Fittings

The single body fitting is supplied with its components (nut, olive, adaptor) pre assembled and ready for insertion of the pipe.

The sight hole on the nut makes it possible to verify if the fitting has been inserted all the way down to the seat.



- 1 Nut in CW617N (UNI EN 12165)
- 2 Adapter in CW614N (UNI EN 12164)
- 3 Washer in PTFE
- 4 Split Olive to CW614N (UNI EN 12164)
- 5 Sealing O-Ring in EPDM



MLCP to Copper Connectors

NEW: Transitional fitting that allows Gerpex MLCP to be connected to conventional copper compression for connection to tap connectors, isolation valves, radiator valves etc. Due to compression connection, hot works are completely eliminated from the system.



Type	Pcs/Pack	Code
16x2 - 15mm	2	6109R016
20x2 - 22mm	2	6109R020
26x3 - 28mm	2	6109R026

A Monoblocco fitting developed to allow MLCP to be connected to standard copper compression fittings. For example, 16mm MLCP can be connected to a 15mm lever valve by using code 6109R016.